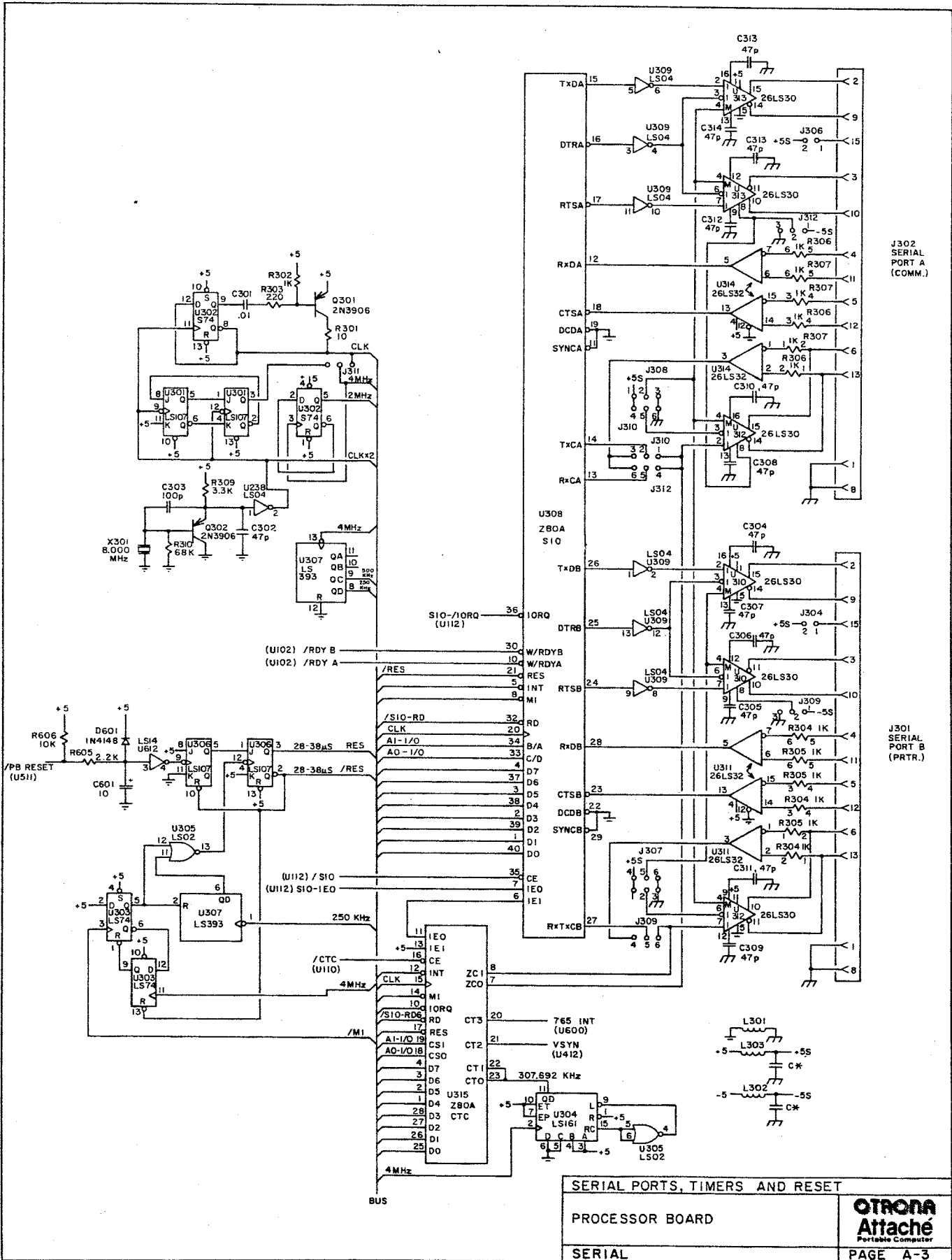


RAM, ROM, AND DMA ADDRESS LATCH	
PROCESSOR BOARD	
MEMORY	
OTRONA Attache Portable Computer	
PAGE A-2	

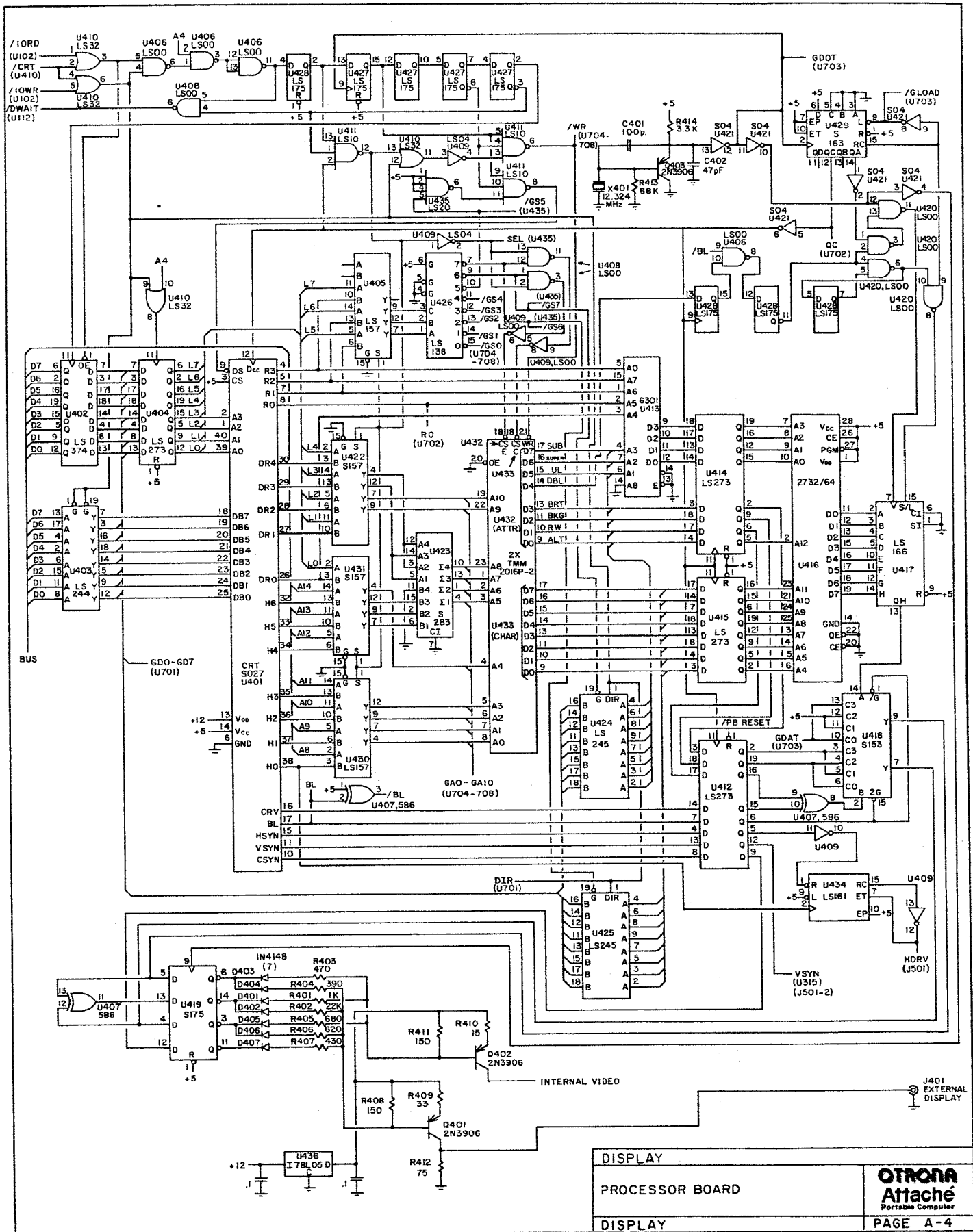


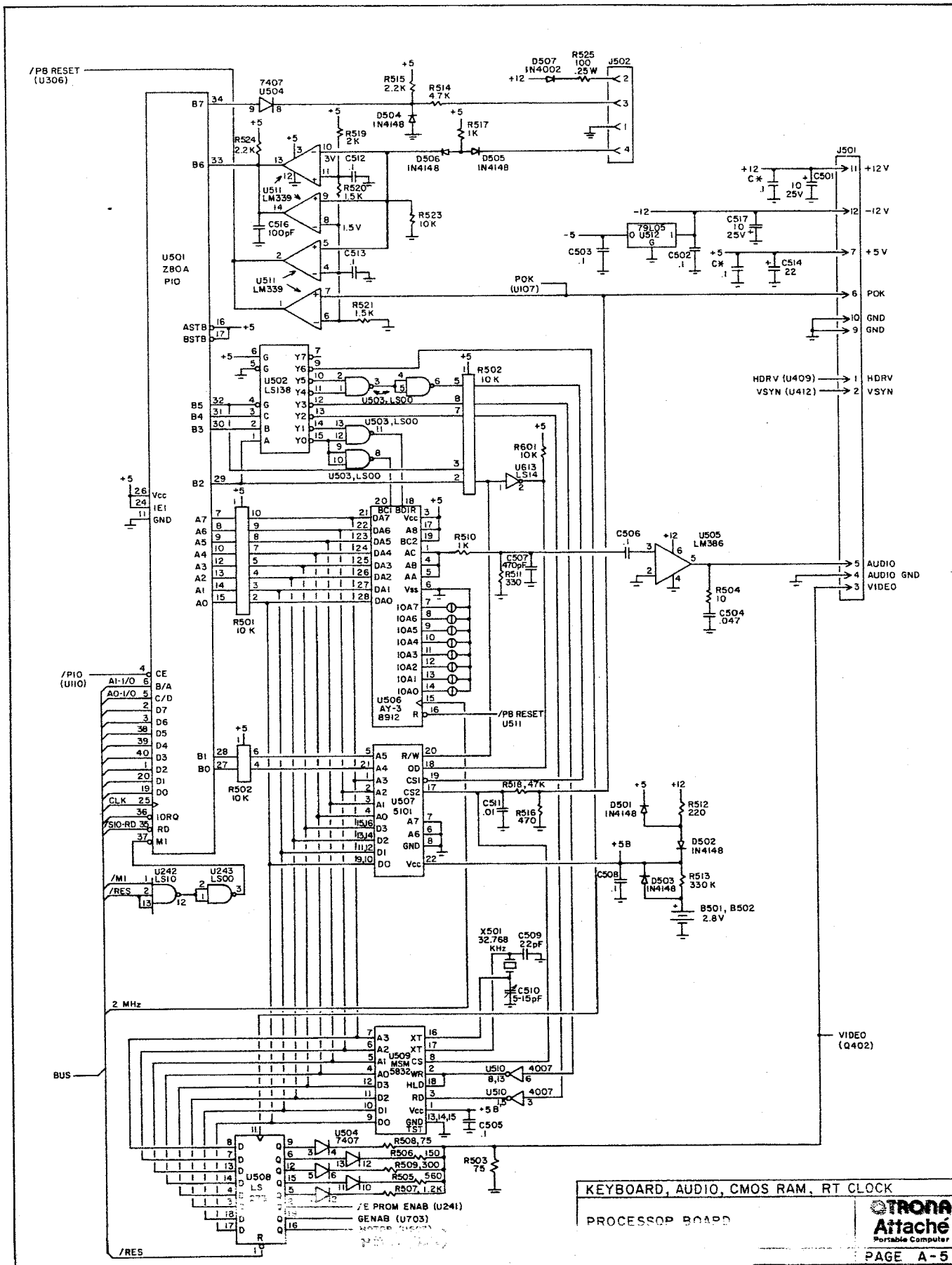
SERIAL PORTS, TIMERS AND RESET

PROCESSOR BOARD

SERIAL







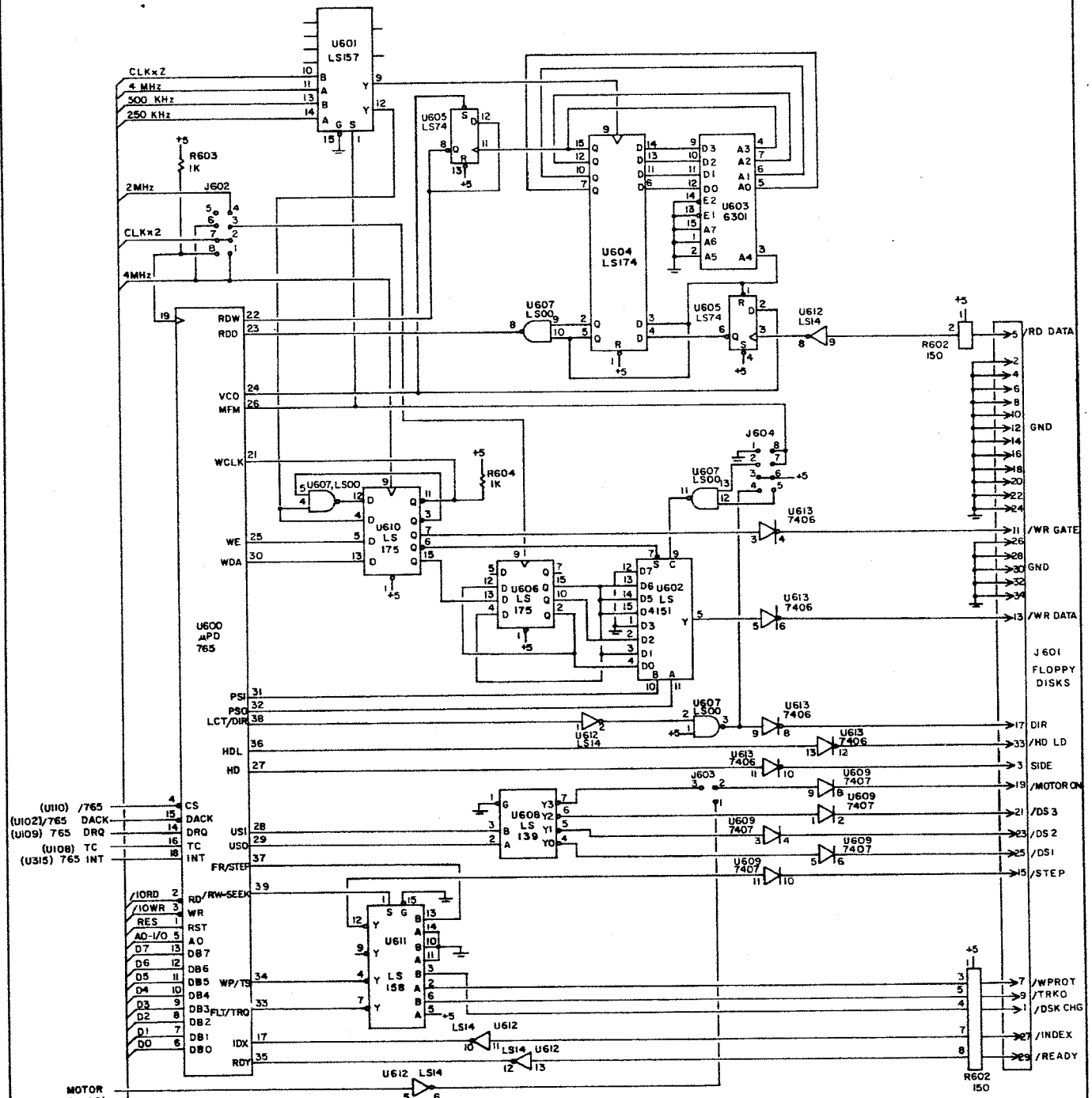
KEYBOARD, AUDIO, CMOS RAM, RT CLOCK

PROCESSOR BOARD

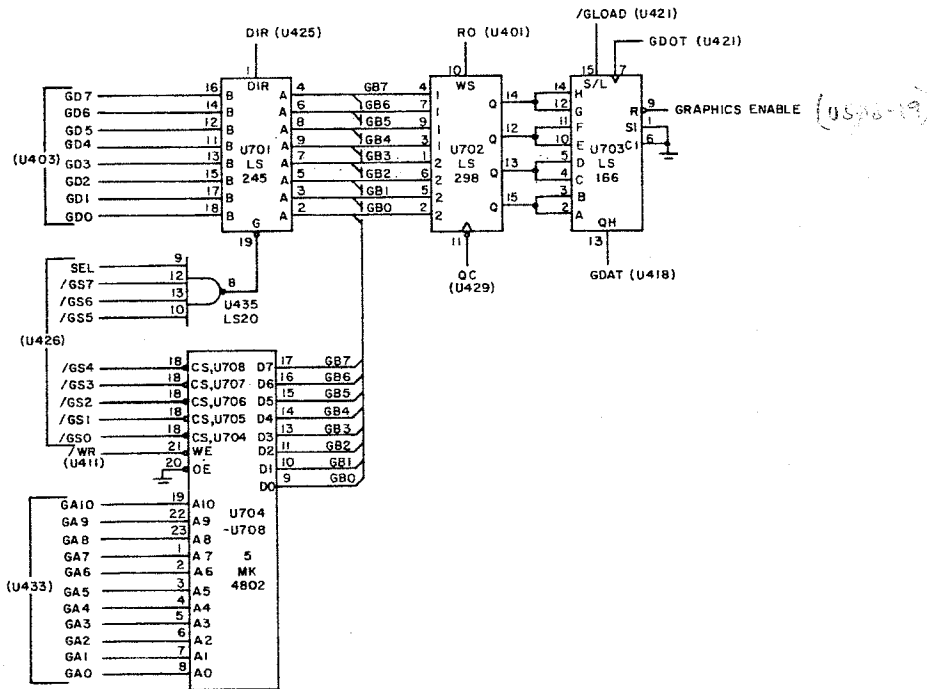
TRONA
Attaché
 Portable Computer

PAGE A-5

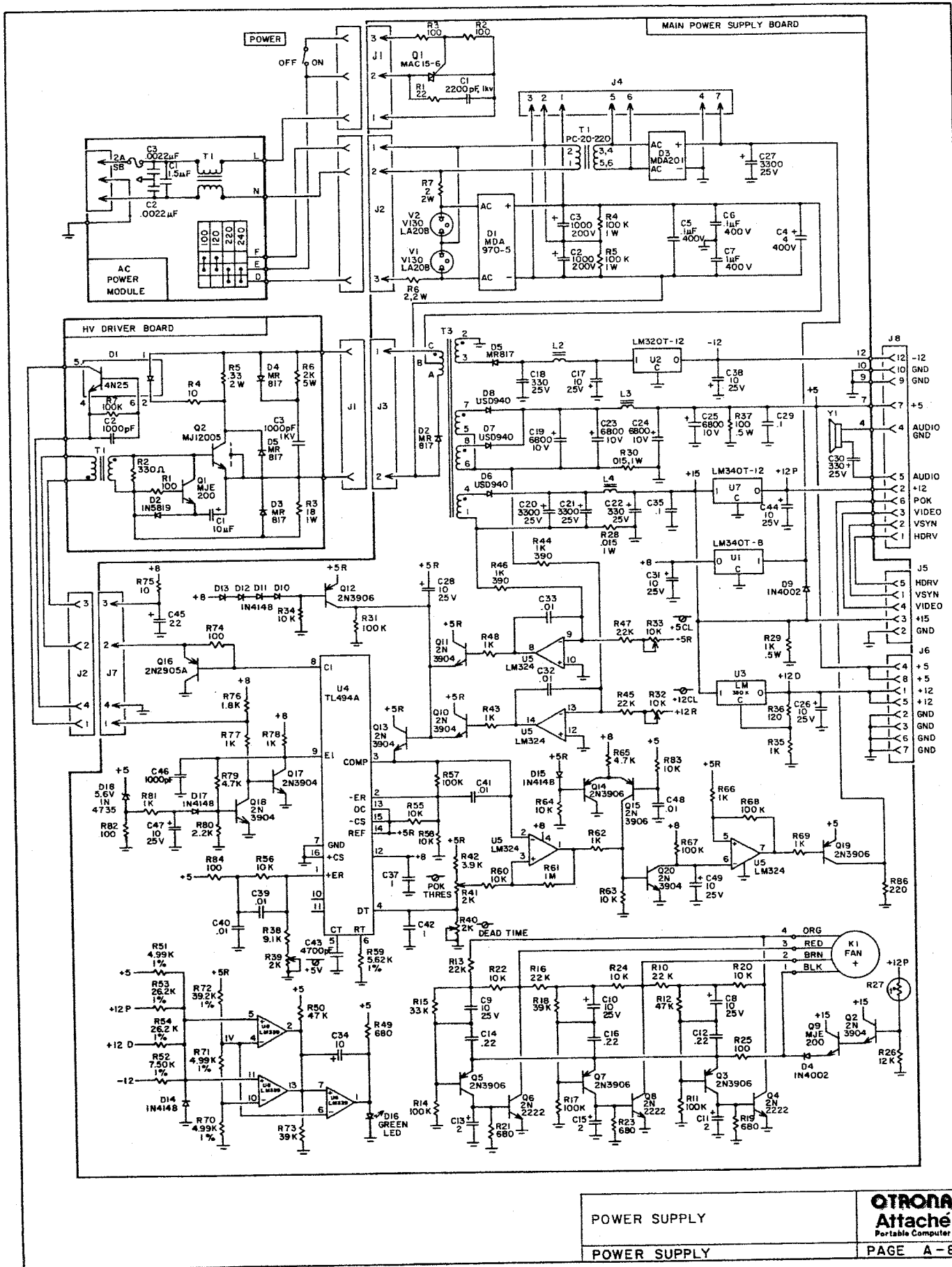
692-
694-
693-1-2



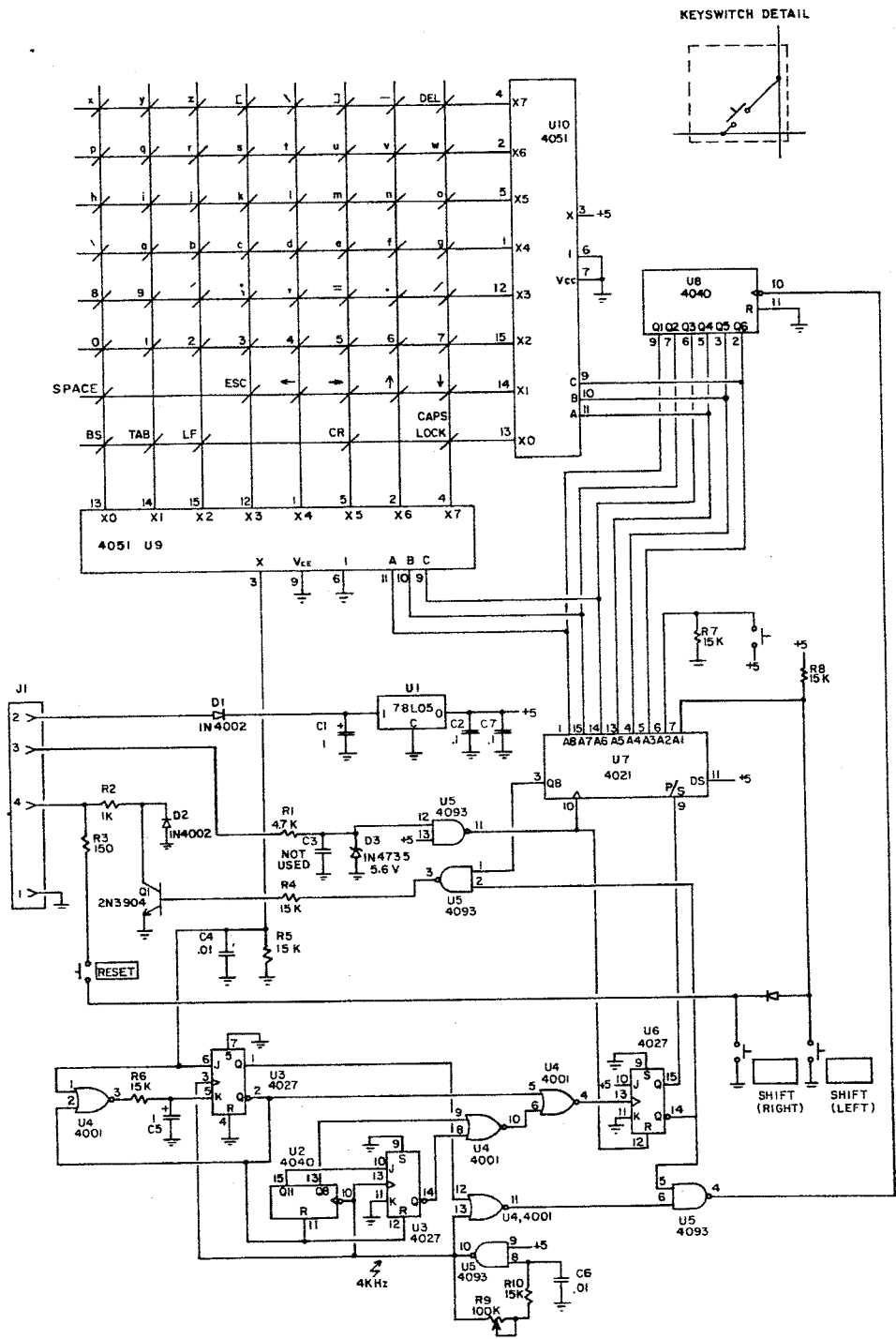
FLOPPY DISK CONTROLLER		
PROCESSOR BOARD		
FLOPPY	PAGE A-6	

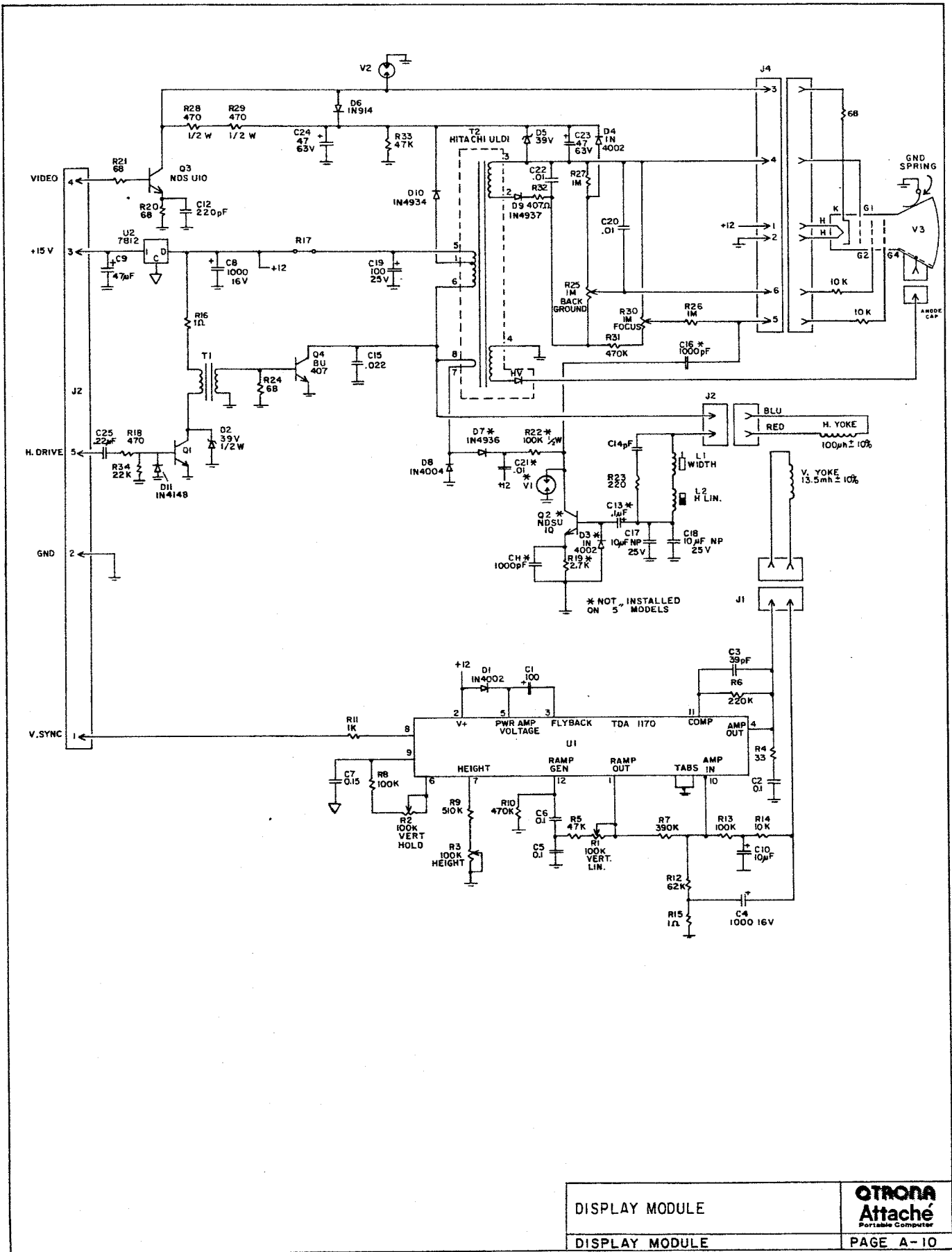


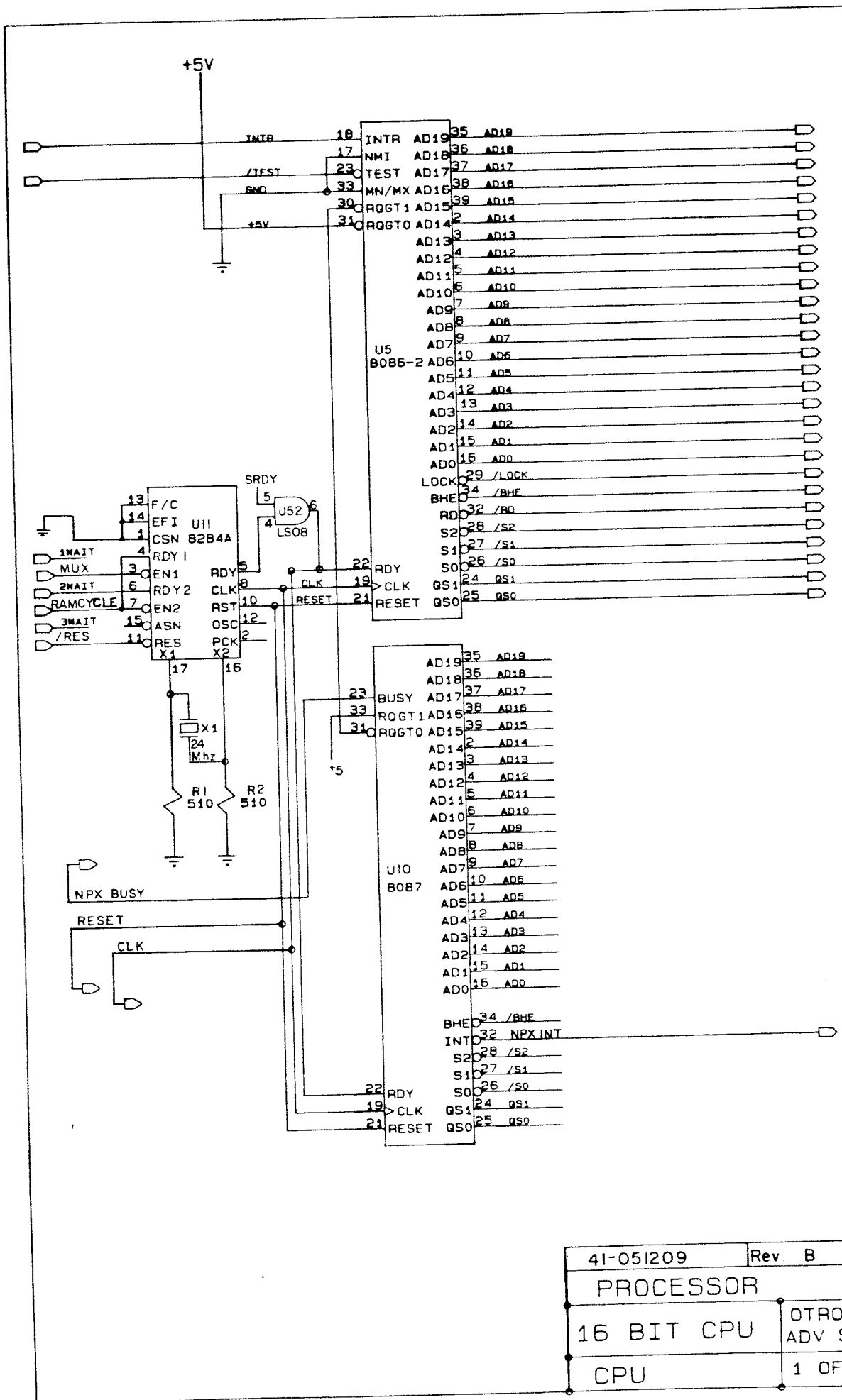
GRAPHICS OPTION		
PROCESSOR BOARD		
GRAPHICS	PAGE A-7	



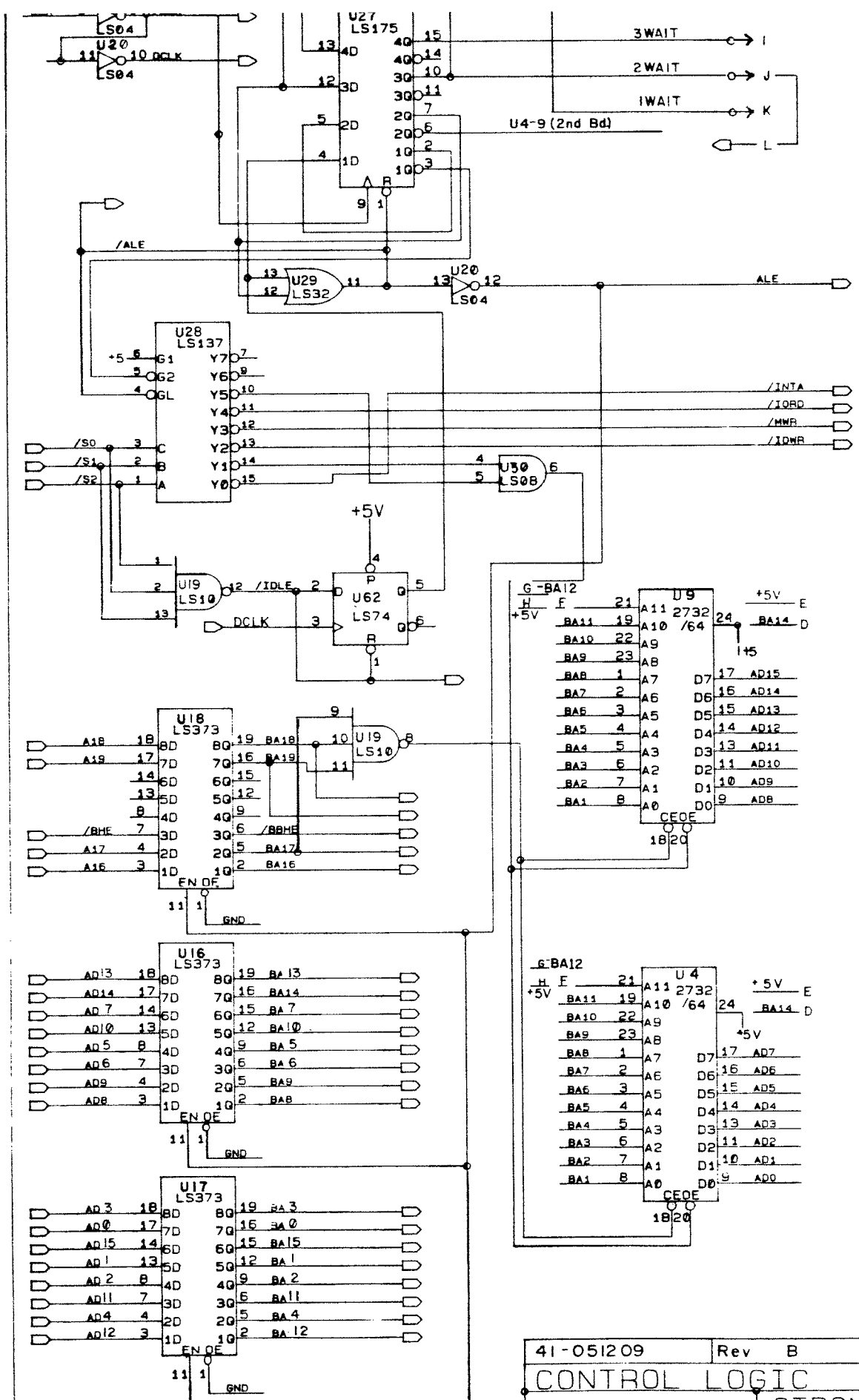
110007 PWR SUPPLY PCB





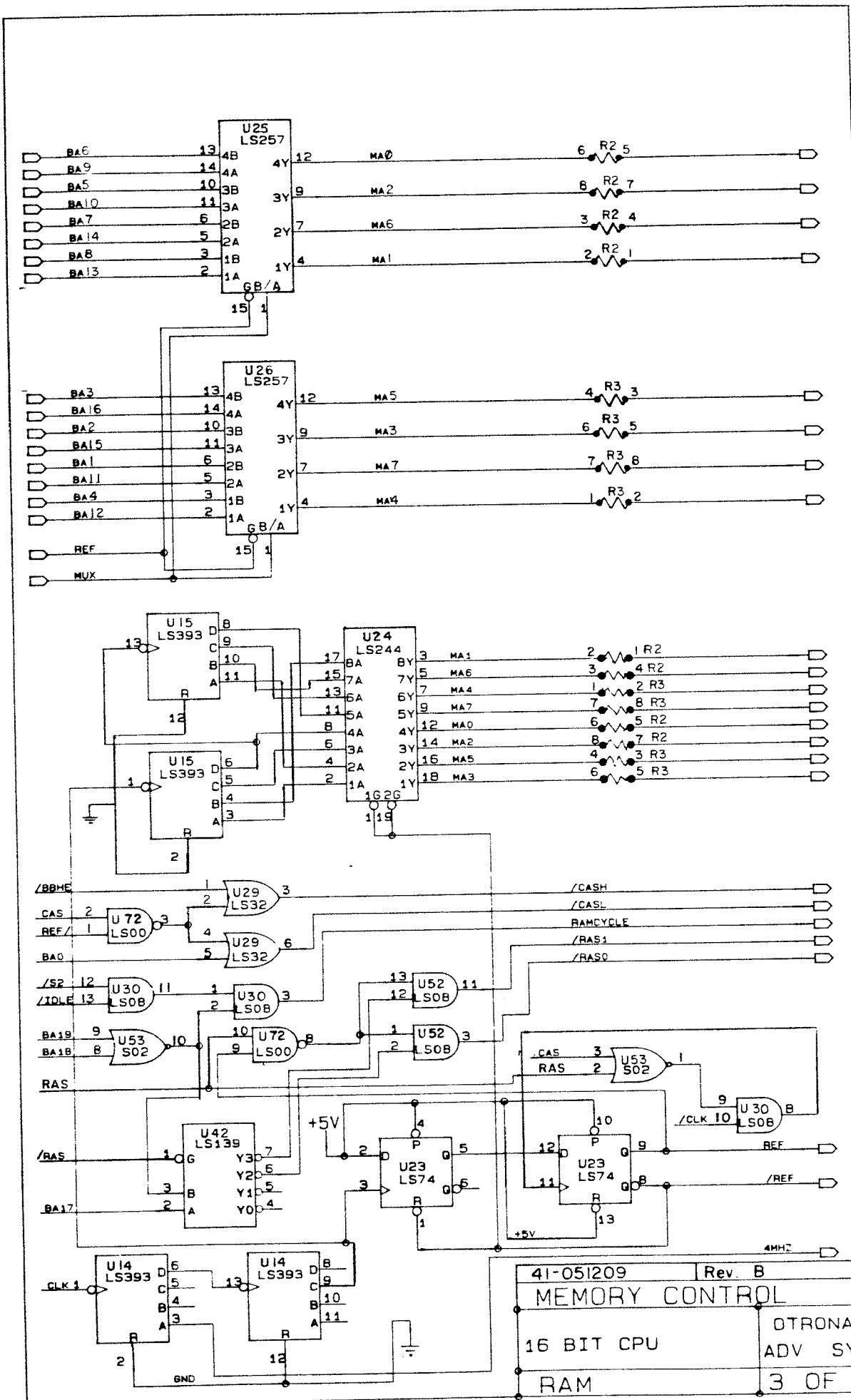


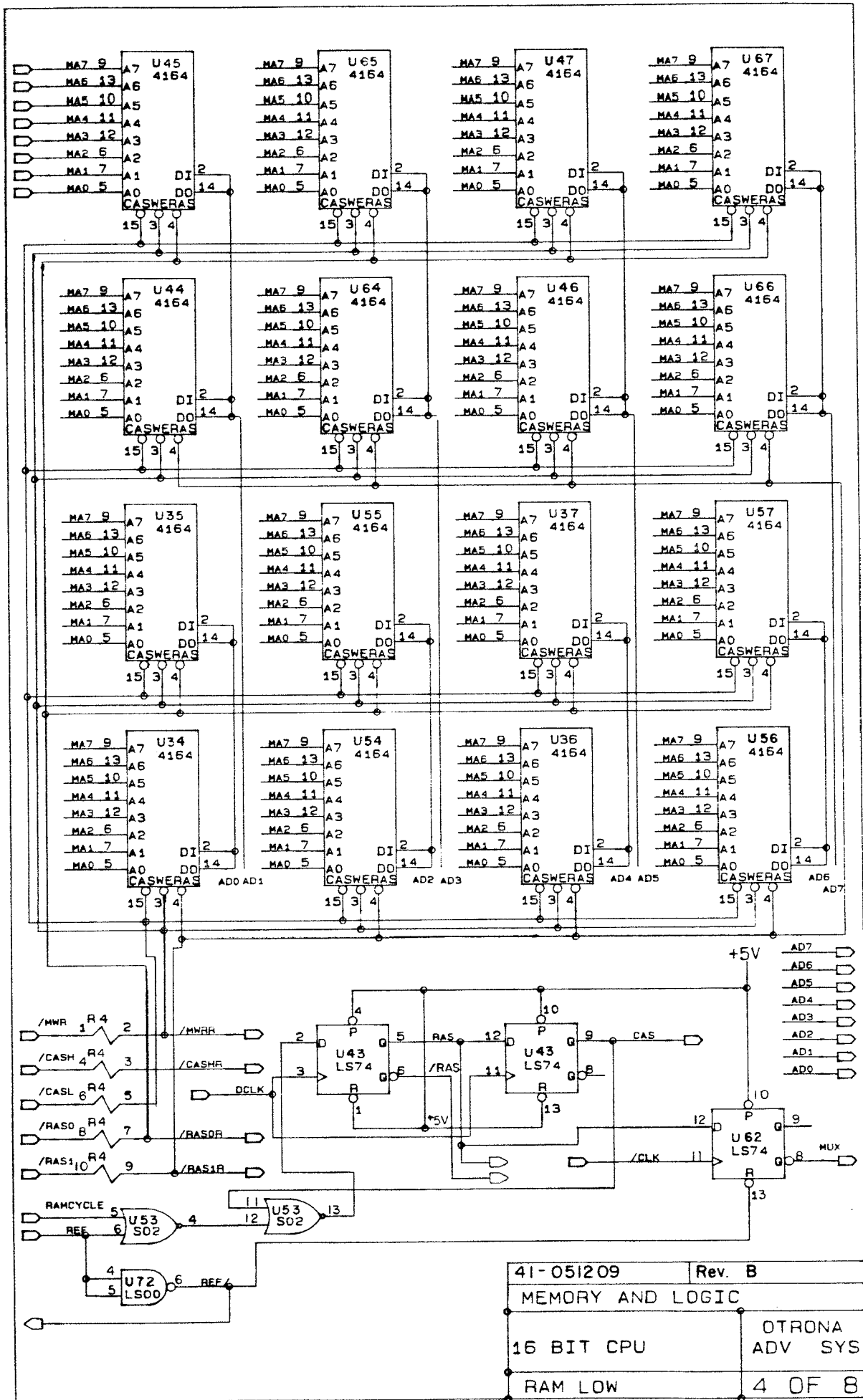
41-051209	Rev B
PROCESSOR	
16 BIT CPU	OTRONA ADV SYS
CPU	1 OF 8

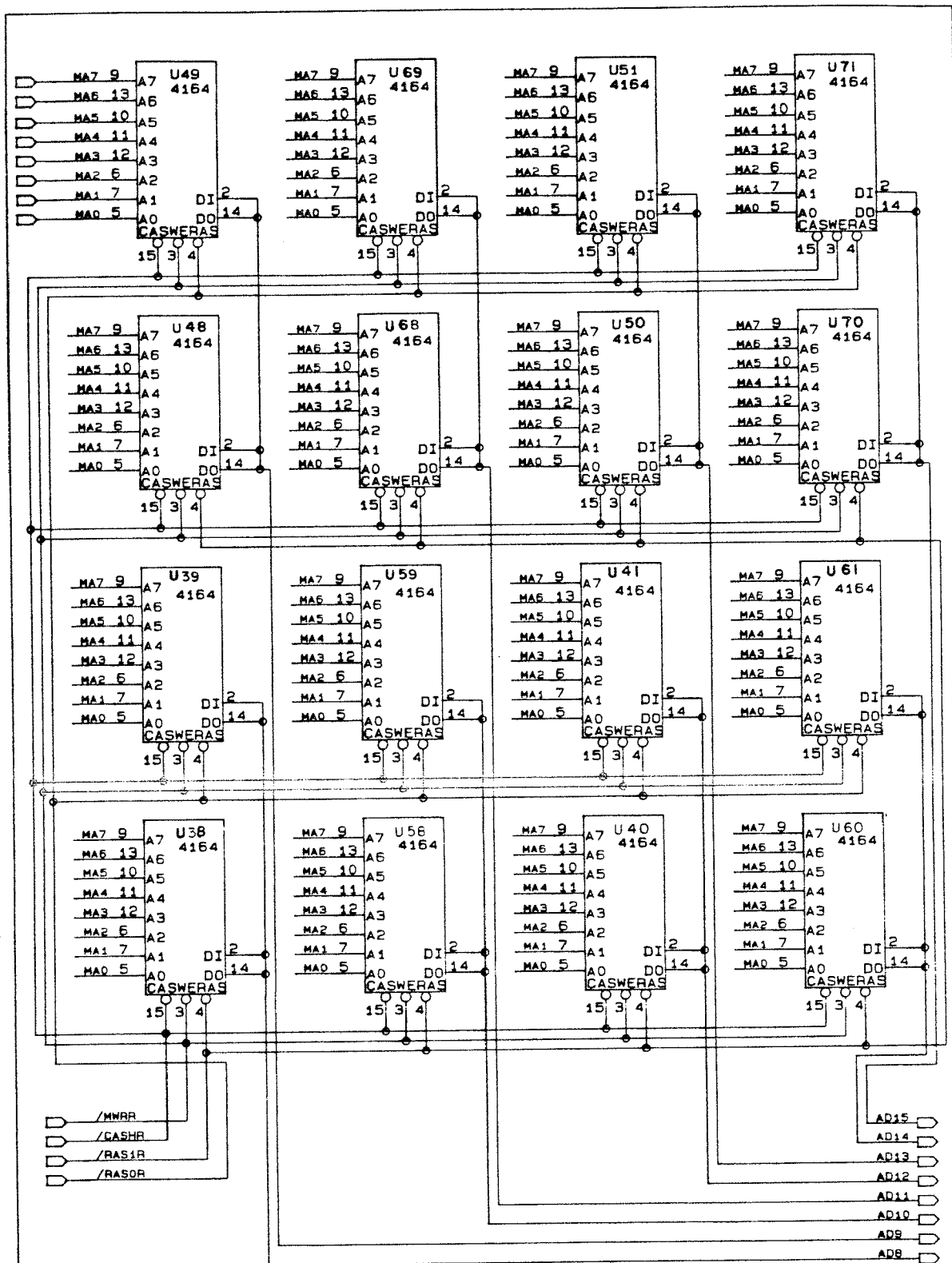


41-051209	Rev B
CONTROL LOGIC	
16 BIT CPU	OTRONA
CONTROL	ADV SYS
	2 OF 8

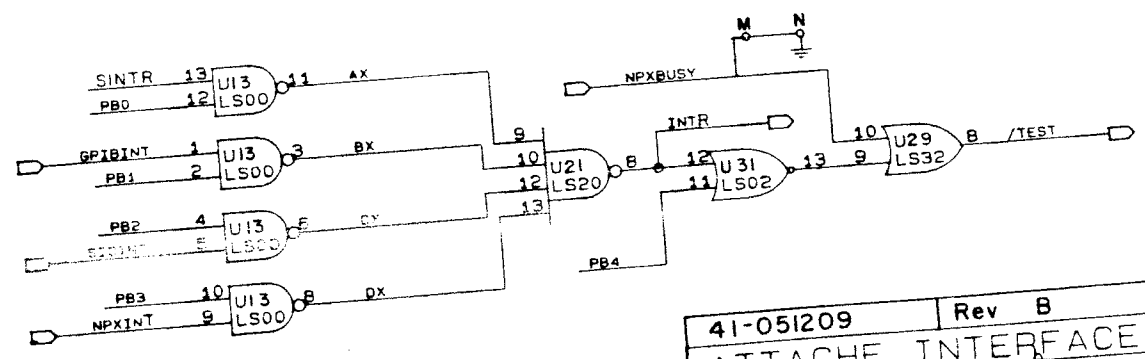
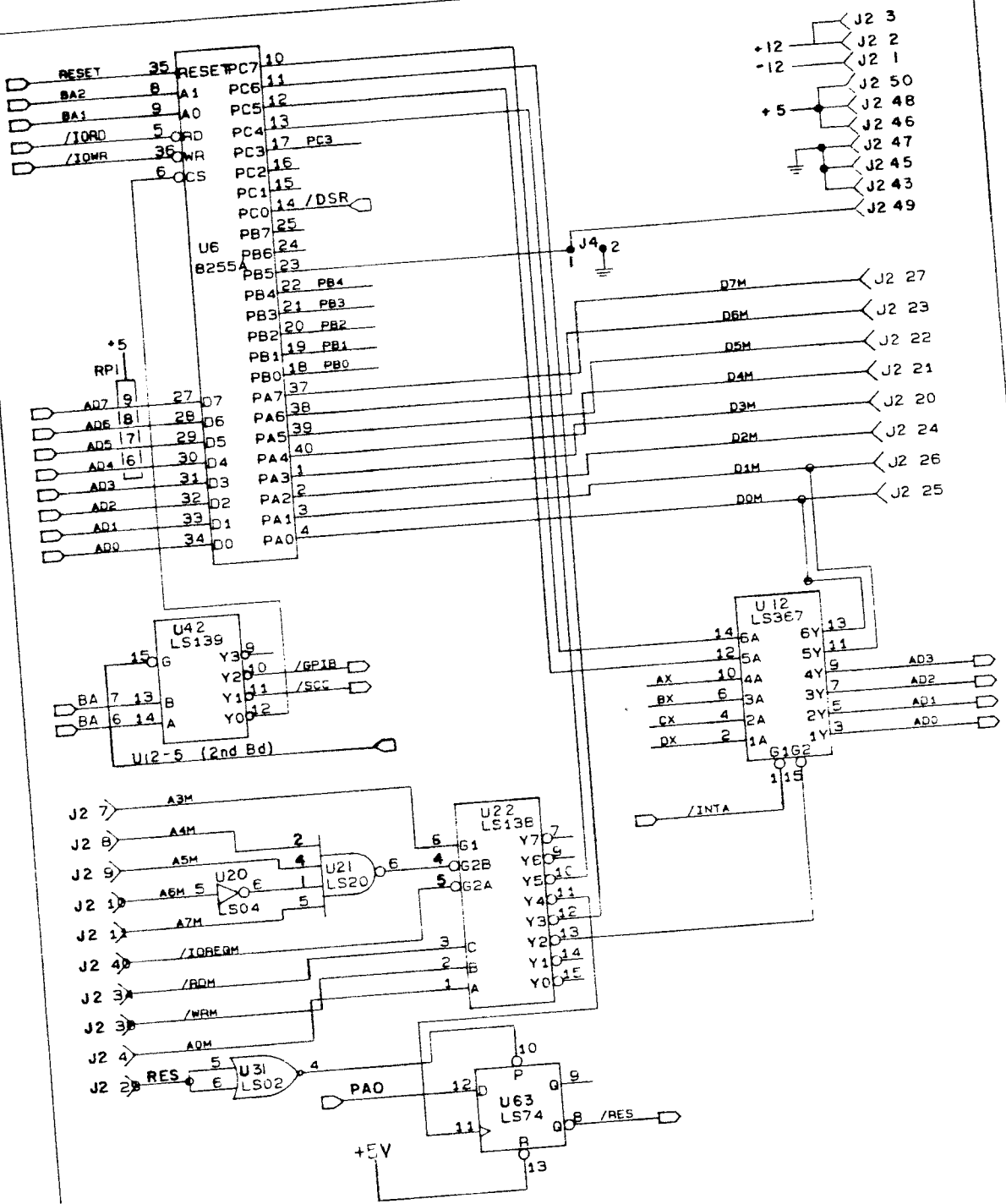
A1



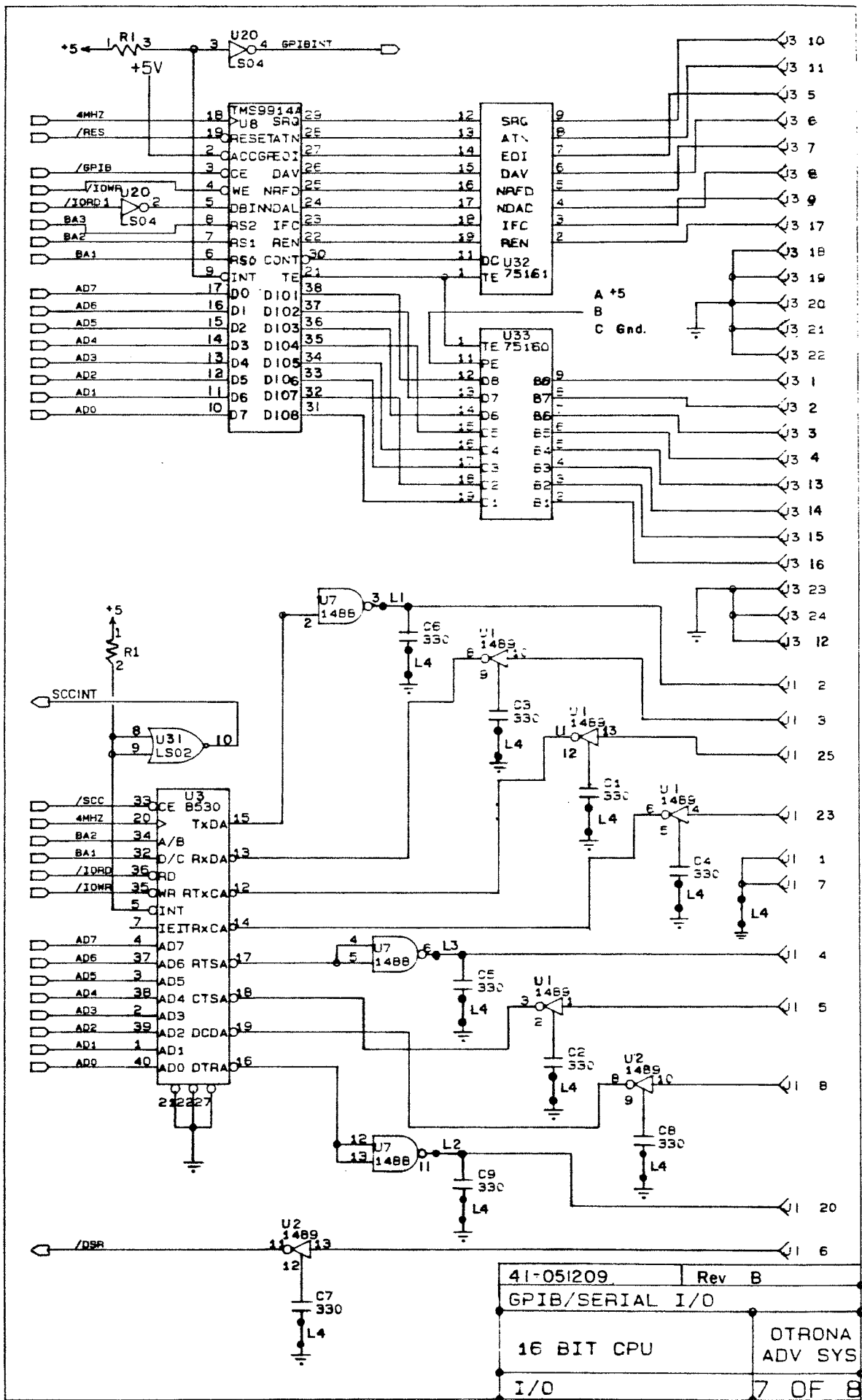


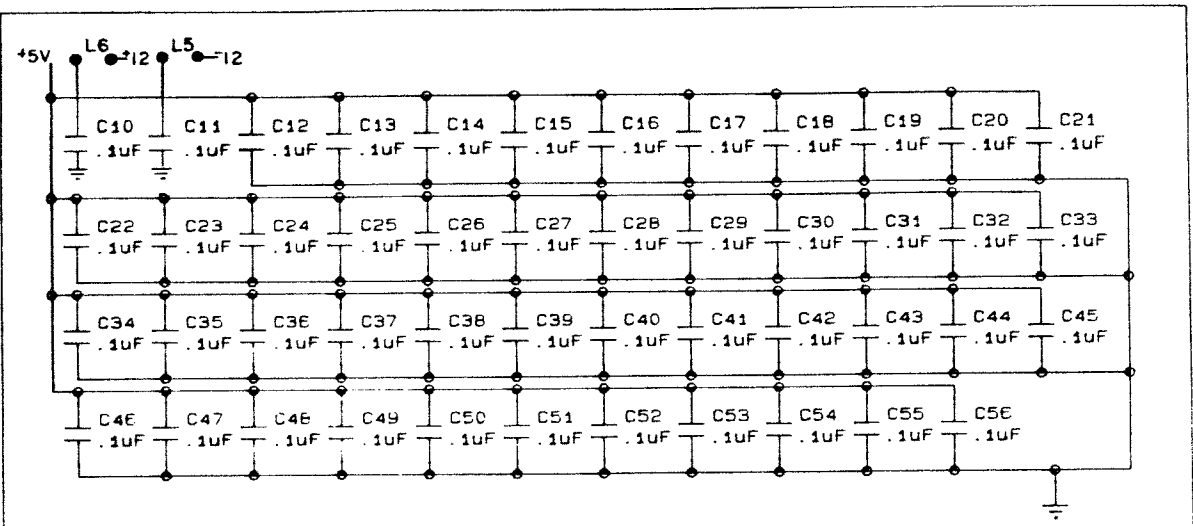


41-051209	Rev. B
RAM HIGH DATA	
16 BIT CPU	OTRONA ADV SYS
RAM HIGH	5 OF 8

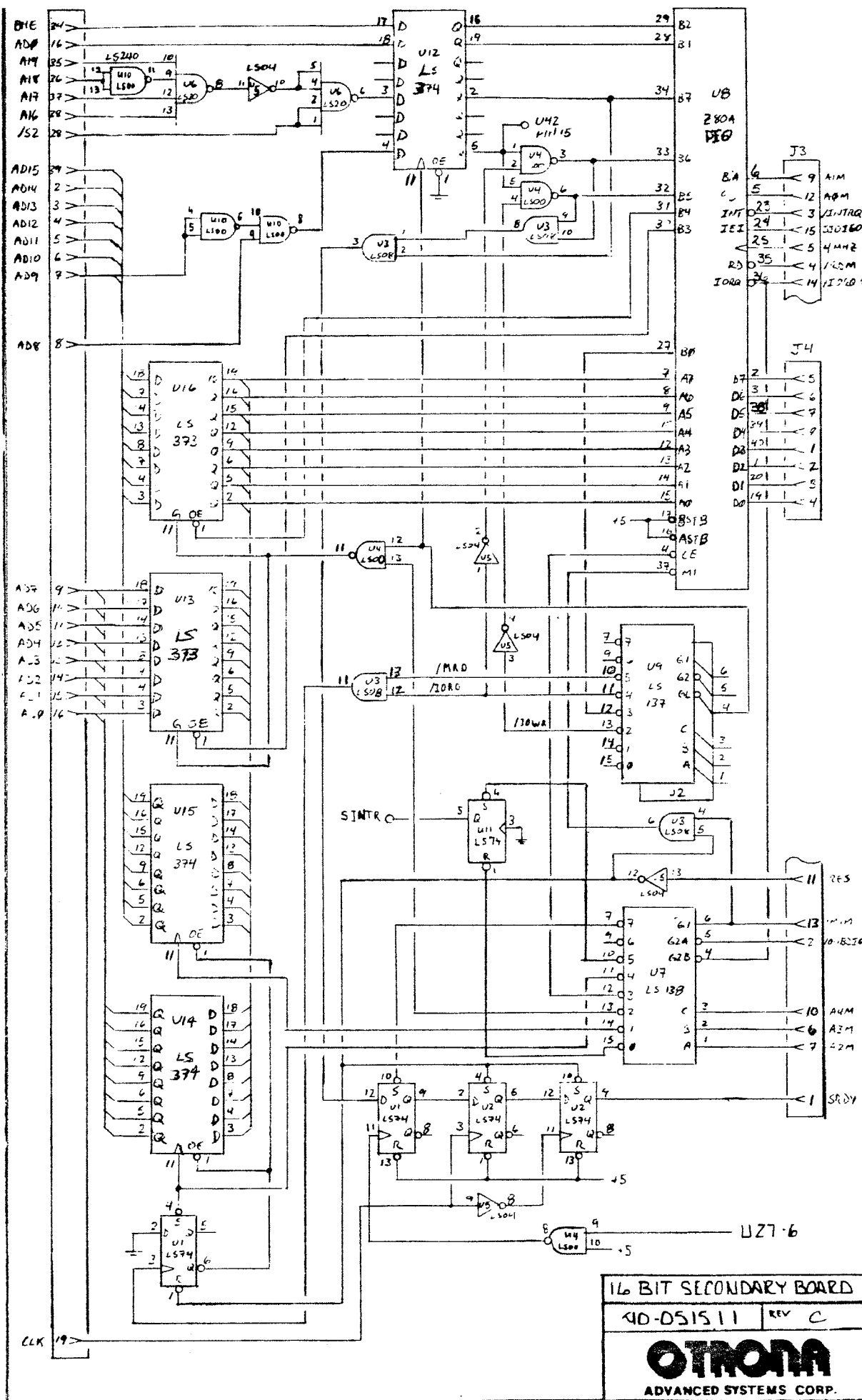


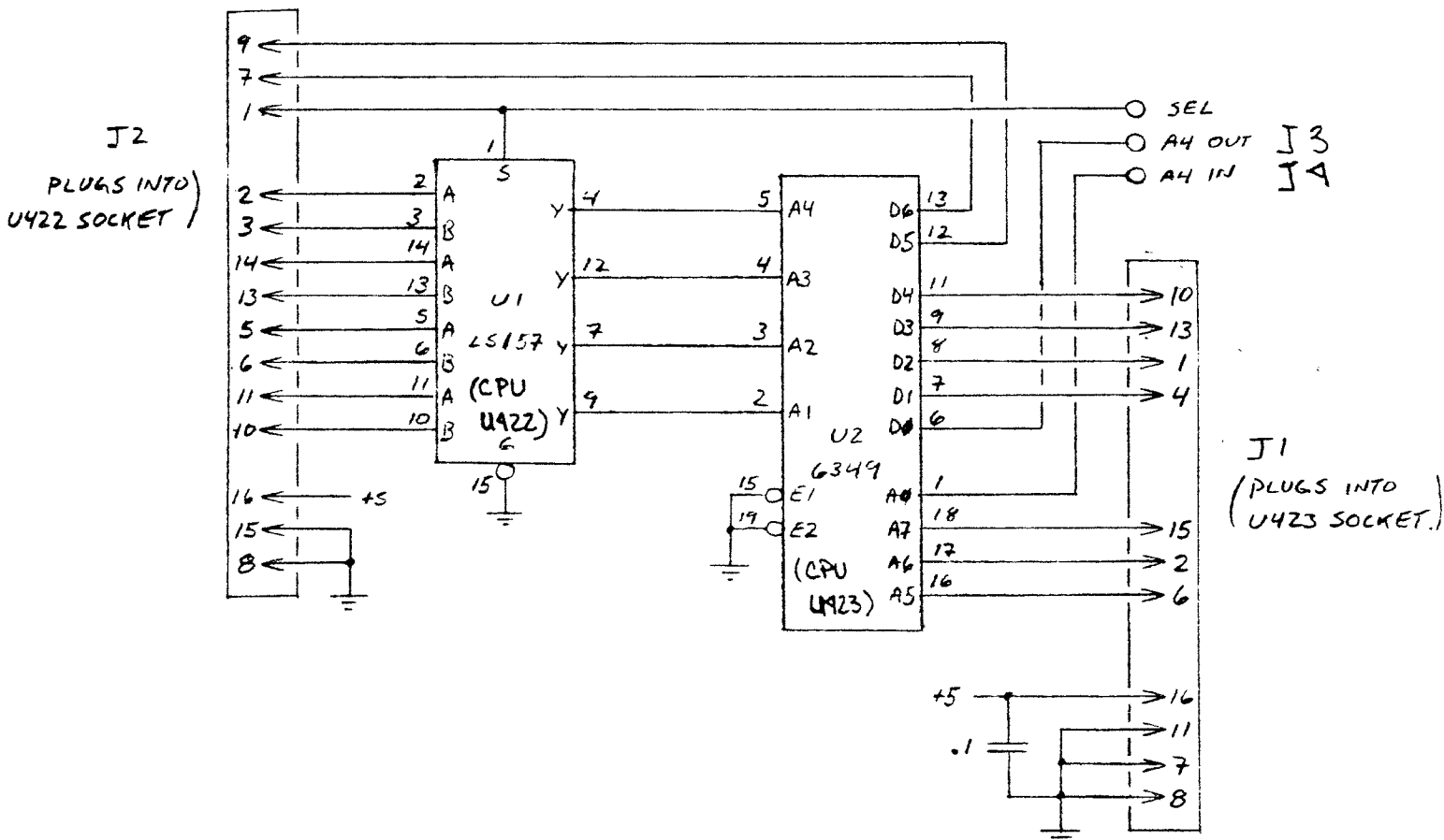
41-051209	Rev B
ATTACHE INTERFACE	
16 BIT CPU	OTRONA
INTERFACE	ADV SYS
	6 OF 8





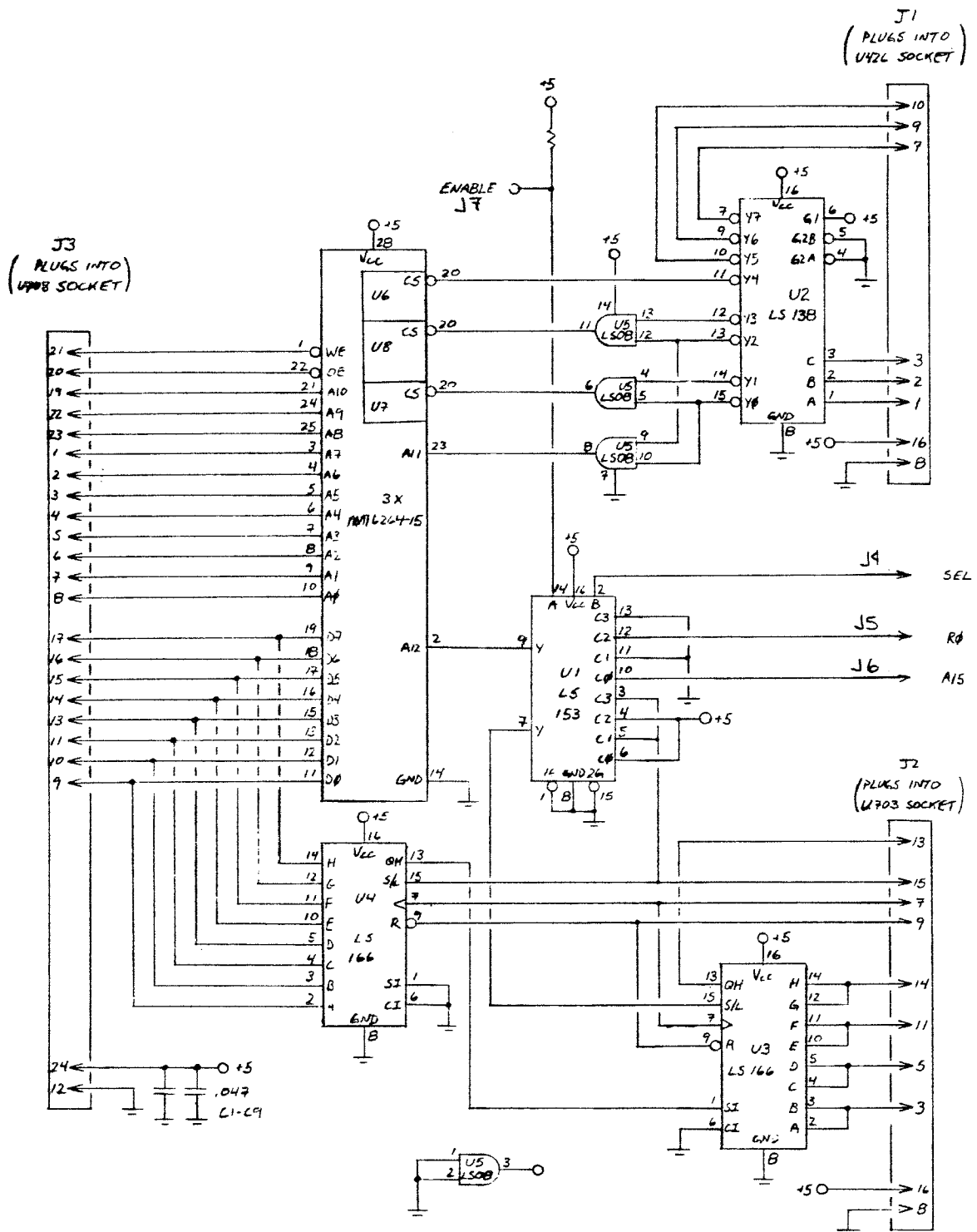
41-051209	Rev B
BY-PASS CAPS	
16 BIT CPU	OTRONA ADV SYS
BY-PASS	8 OF 8





25 - LINE MODIFICATION

J3 TO PIN 4 U431?
 J4 TO PIN 4 U432/433?
 CUT EXISTING TRACE?



HIGH - RESOLUTION GRAPHICS BOARD